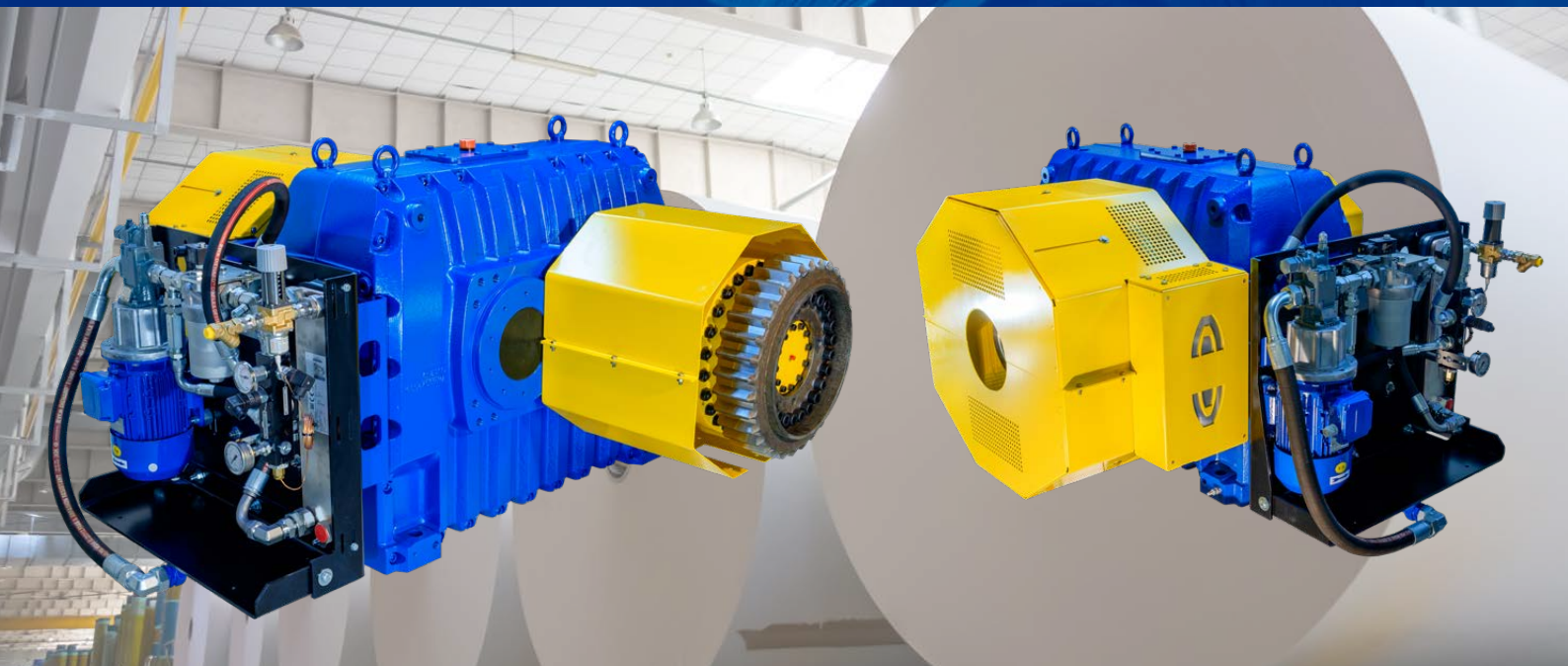




BOARD & PAPER INDUSTRY UNWINDER GEARBOX Series LXU



Kumera

GEARBOXES FOR UNWINDERS

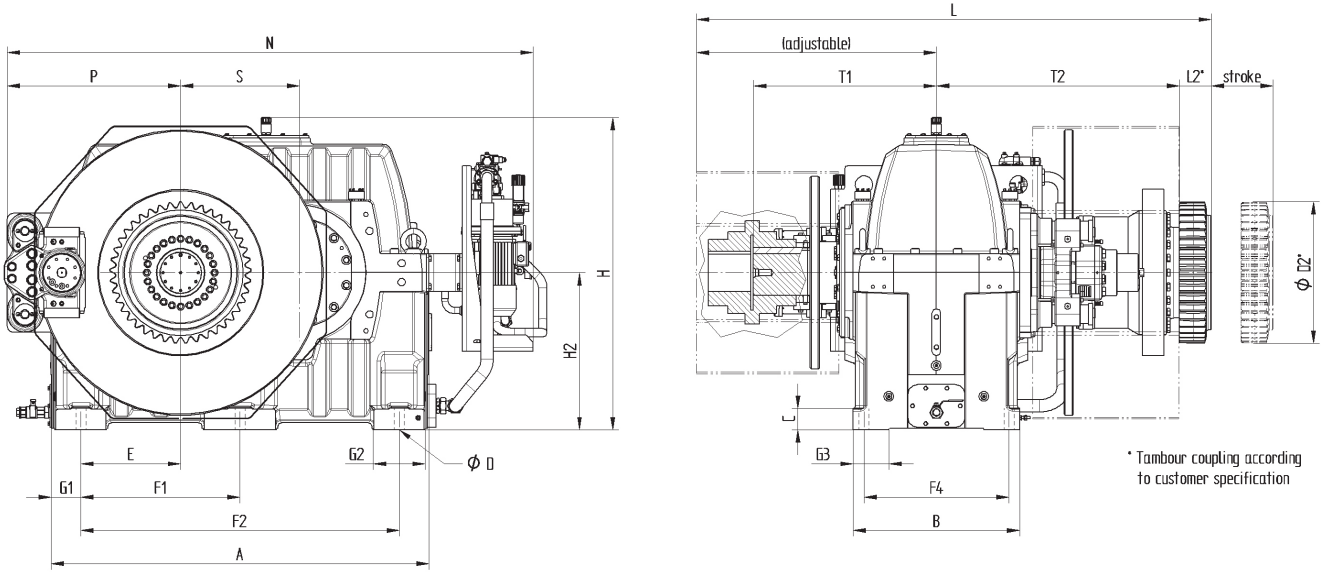
The next generation Kumera LXU gearbox series is developed for demanding unwinder drive needs for the paper industry.

The continuous accelerations, decelerations and variable load of the parent roll have been taken into account in the gearbox design ensuring long life and reliable operation.

- Integrated hydraulic gear coupling movement mechanism
 - Coupling engagement without moving the gearbox
 - Coupling moving mechanism inside the output shaft with leak-free connections
- Integrated brake disc(s)
 - Brakes on input, output or on both shafts
 - Safe mechanical braking in all situations
 - Passive and active brakes available
- Safe and advanced covers for rotating parts
 - The length-adjustable cover on the motor side fulfils the tightest safety requirements.
 - The tambour side cover as a standard.
- 16 standard gear ratios from 1.6:1 to 5:1
- The modular catalogue series allows fast tailoring with short delivery times.
- Surface-hardened, ground and crowned tambour couplings optimized to maximize reel side couplings life.

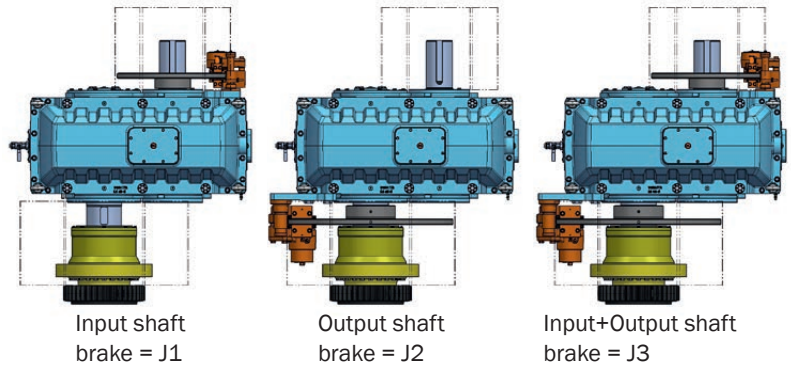


Dimensions



Brake configurations

LXU-Size	Max torque [kNm]*	Max brake [kNm]*	Average weight [kg]
270	39	20	1350
355	90	41	2350
390	142	77	2950
450	206	77	4350
500	263	98	5900



Size	A	B	C	D	E	F1	F2	F4	G1	G2
270	960	450	60	28	225		760	390	100	160
355	1160	530	70	35	290		930	460	115	180
390	1280	580	80	42	330		1050	490	115	205
450	1460	630	90	48	380		1210	540	125	210
500	1590	700	90	42	420	670	1340	610	125	240

Size	G3	H	H2	N	L	P	S	T1	T2	stroke
270	100	775	375	1500	1400	475	270	485	670	260
355	120	980	500	1750	1650	560	355	580	755	260
390	130	1050	530	1900	1950	630	390	650	950	260
450	140	1180	600	2050	2000	630	450	685	990	260
500	150	1280	660	2250	2150	730	500	770	1022,5	260

*The values refer to the tambour side (LSS) and depend on the brake configuration and ratio. Additional types, sizes and configurations available on request.





POWER-PLAZA.COM

Kumera Power-Plaza is the online market place for Kumera mechanical transmission products and associated spare parts. Power-plaza.com speeds up the process of requesting for quotations. **www.power-plaza.com**



KUMERA

KUMERA POWER TRANSMISSION GROUP

www.kumera.com

KUMERA DRIVES OY

Kumerankatu 2
FI-11100 Riihimäki
FINLAND
Tel: +358 20 755 4200
Fax: +358 20 755 4220
E-mail: drives@kumera.com

KUMERA AS

P.O. Box 2043
N-3202 Sandefjord
NORWAY
Tel: +47 33 48 54 54
Fax: +47 33 48 54 55
E-mail: sales@kumera.no

KUMERA ANTRIEBSTECHNIK GMBH

Raiffeisenstrasse 38-40
A-8010 Graz
AUSTRIA
Tel: +43 316 471 524-0
Fax: +43 316 462 550
E-mail: kumera.graz@kumera.com

KUMERA (CHINA) CO, LTD.

168 Meifeng Road
Kunshan 215300, Jiangsu
CHINA
Tel: +86 512 503 61701
Fax: +86 512 503 61710
E-mail: kumerachina@kumera.com